

# MPPT Solar Charge Controller Installation and Operation Manual

Maximum Power Point Tracking Technology

## **Model:**

<b>20A 30A</b>	12V/24V	Heatsink cooling
<b>30A 40A</b>	12V/24V/48V	Heatsink cooling
<b>50A 60A</b>	12V/24V/48V	Heatsink cooling
<b>70A 80A</b>	12V/24V/48V	Heatsink cooling
<b>30A 40A</b>	12V/24V/48V	Fan cooling
<b>50A 60A</b>	12V/24V/48V	Fan cooling

# Content

<b>1. IMPORTANT SAFETY INSTRUCTIONS.....</b>	<b>3</b>
<b>2. GETTING STARTED.....</b>	<b>5</b>
<b>3. INSTALLATION.....</b>	<b>9</b>
<b>4. OPERATION.....</b>	<b>14</b>
<b>5. NETWORKING AND COMMUNICATION.....</b>	<b>18</b>
<b>6. TROUBLE SHOOTING.....</b>	<b>21</b>
<b>7. WARRANTY, CLAIM PROCEDURE AND DATASHEET.....</b>	<b>22</b>

# 1. Important safety instructions

## Save these instructions

This manual contains important safety, installation and operating instructions for the MPPT solar controller.

The following symbols are used throughout this manual to indicate potentially dangerous conditions or mark important safety instructions.



WARNING:

Indicates a potentially dangerous condition. Use extreme caution when performing this task.



CAUTION:

Indicates a critical procedure for safe and proper operation of the controller.



NOTE:

Indicates a procedure or function that is important for the safe and proper operation of the controller.

## Safety Information

- Read all of the instructions and cautions in the manual before beginning installation.
- There are no user serviceable parts inside the MPPT charger. Do not disassemble or attempt to repair the controller.
- Disconnect all sources of power to the controller before installing or adjusting the SMK controller.
- Mount the controller indoors. Prevent exposure to the elements and do not allow water to enter the controller.
- Install the controller in a location that prevents casual contact. The controller can become very hot during operation.
- Use insulated tools when working with batteries.
- Avoid wearing jewelry during installation.
- The battery bank must be comprised of batteries of same type, make, and age.
- Do not smoke in the vicinity of the battery bank.

- Power connections must remain tight to avoid excessive heating from a loose connection.
- Use properly sized conductors and circuit interrupters.



WARNING: A battery can present a risk of electrical shock or burn from large amounts of short-circuit current, fire, or explosion from vented gases. Observe proper precautions.



CAUTION: When replacing batteries, use properly specified sizes ,type, and rating based on application and system design.



CAUTION: Proper disposal of batteries is required. Refer to local regulations or codes for requirements.

#### About this Manual

**This manual provides detailed installation and usage instructions for the MPPT solar charge controller. Only qualified electricians and technicians who are familiar with solar system design and wiring practices should install the MPPT controller. The usage information in this manual is intended for the system owner/operator.**

## 2. Getting Started

### 2.1 Overview

Thank you for selecting our MPPT solar charge controller. The MPPT series controller is an advanced maximum power point tracking solar battery charger. The controller features a smart tracking algorithm that finds and maintains operation at the solar array peak power point, maximizing energy harvest.

The MPPT controller charging process has been optimized for long battery life and improved system performance. Self-diagnostics and electronic error protections prevent damage when installation mistakes or system faults occur. The controller also features four(4) adjustable setting switches, RS485/RS232/Ethernet communication port (GPRS/DAU Optional) and terminal for remote battery temperature measurement.

Please take the time to read this operator's manual and become familiar with the controller. This will help you make full use of the many advantage the MPPT Controller that can provide for your PV system.

### 2.2 Versions and Rating

There are 12 models of SMK MPPT series controller.

#### **20A 12V/24V Natural Cooling**

- Maximum 20 amps continuous battery current
- 12/24Volt DC systems
- Maximum 100 Volt DC solar input voltage
- COM port

#### **30A 12V/24V Natural cooling**

- Maximum 30 amps continuous battery current
- 12/24 Volt DC systems
- Maximum 100 Volt DC solar input voltage
- COM Port

#### **30A 12V/24V/48V Natural cooling**

- Maximum 30 amps continuous battery current
- 12,24, and 48 Volt DC systems
- Maximum 100 Volt DC solar input voltage
- RS-485 communication port

#### **40A 12V/24V/48V Natural cooling**

- Maximum 40 amps continuous battery current
- 12,24, and 48 Volt DC systems

- Maximum 100 Volt DC solar input voltage
- RS-485 communication port

#### **50A 12V/24V/48V Natural cooling**

- Maximum 50 amps continuous battery current
- 12,24, and 48 Volt DC systems
- Maximum 150 Volt DC solar input voltage
- RS485/RS232/Ethernet communication, GPRS/DAU Optional

#### **60A 12V/24V/48V Natural cooling**

- Maximum 60 amps continuous battery current
- 12,24, and 48 Volt DC systems
- Maximum 150 Volt DC solar input voltage
- Standard RS485/RS232/Ethernet communication, GPRS/DAU Optional

#### **70A 12V/24V/48V Natural cooling**

- Maximum 70 amps continuous battery current
- 12,24, and 48 Volt DC systems
- Maximum 150 Volt DC solar input voltage
- RS485/RS232/Ethernet communication, GPRS/DAU Optional

#### **80A 12V/24V/48V Natural cooling**

- Maximum 80 amps continuous battery current
- 12,24, and 48 Volt DC systems
- Maximum 150 Volt DC solar input voltage
- RS485/RS232/Ethernet communication, GPRS/DAU Optional

#### **30A 12V/24V/48V Fan cooling**

- Maximum 30 amps continuous battery current
- 12/24 Volt DC systems
- Maximum 100 Volt DC solar input voltage
- RS-485 communication port

#### **40A 12V/24V/48V Fan cooling**

- Maximum 40 amps continuous battery current
- 12,24, and 48 Volt DC systems
- Maximum 100 Volt DC solar input voltage

- RS-485 communication port

### 50A 12V/24V/48V Fan cooling

- Maximum 50 amps continuous battery current
- 12,24, and 48 Volt DC systems
- Maximum 150 Volt DC solar input voltage
- RS232/Ethernet communication optional

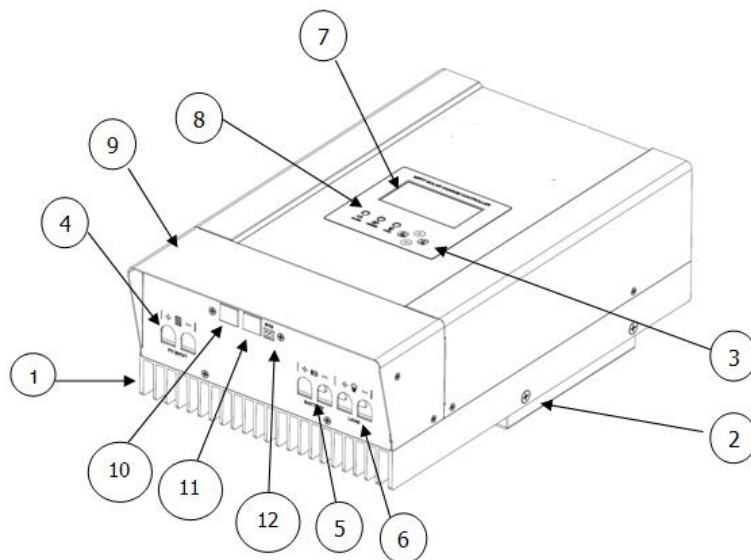
### 60A 12V/24V/48V Fan cooling

- Maximum 60 amps continuous battery current
- 12,24, and 48 Volt DC systems
- Maximum 150 Volt DC solar input voltage

RS232/Ethernet communication optional

## 2.3 Features

The features of the MPPT controller are shown in figure below. An explanation of each feature is provided



1. Heatsink  
Aluminum heatsink to dissipate controller heat
2. Mounting hole  
Keyhole slot for mounting
3. Setting Switches

Four setting switches to configure operation of the MPPT controller

4. Solar Positive Terminal

Power connection for Solar(+)

Solar Negative Terminal

Power connection for solar(-)

5. Battery Positive Terminal

Power connection for battery(+)

Battery Negative Terminal

Power connection for battery(-)

6. DC Load output

7. LCD screen

Indicate the operating status

8. LED indicators

LED indicators show charging status and controller faults

9. Wiring Box cover

Sheet metal wiring box cover protect power connections

10. RS-485/232Port

Terminal for RS-485/232 communication

11. Ethernet Port

Terminal for Ethernet communication

12. Battery temperature Sensor

Terminal for battery temperature detect and provide compensation



## 3. Installation

### 3.1 General Information

The mounting location is important to the performance and operating life of the controller. The environment must be dry and protected from water ingress. If required, the controller may be installed in a ventilated enclosure with sufficient air flow. Never install the controller in a sealed enclosure. The controller may be mounted in an enclosure with sealed batteries, but **never with vented/flooded** batteries. Battery fumes from vented batteries will corrode and destroy the controller circuits.

Multiple controllers can be installed in parallel on the same battery bank to achieve higher charging current. Additional parallel controllers can also be added in the future. Each controller must have its own solar array.



CAUTION: Equipment Damage or Risk of Explosion

Never install the controller in an enclosure with vented/flooded batteries. Battery fumes are flammable and will corrode and destroy the controller circuits.



CAUTION: Equipment Damage

When installing the controller in an enclosure, ensure sufficient ventilation. Installation in a **sealed** enclosure will lead to over-heating and decreased product lifetime.

The installation is straight-forward, but it is important each step is done correctly and safety. A mistake can lead to dangerous voltage and current levels. Be sure to carefully follow each instruction. Read all instructions first before beginning installation.

Recommended Tools:

- Wire strippers
- Wire cutters
- Phillips screwdriver
- Slotted screwdrivers
- Pliers
- Drill
- Drill bit
- Level
- Hack saw (cutting conduit)

### 3.2 Controller Installation

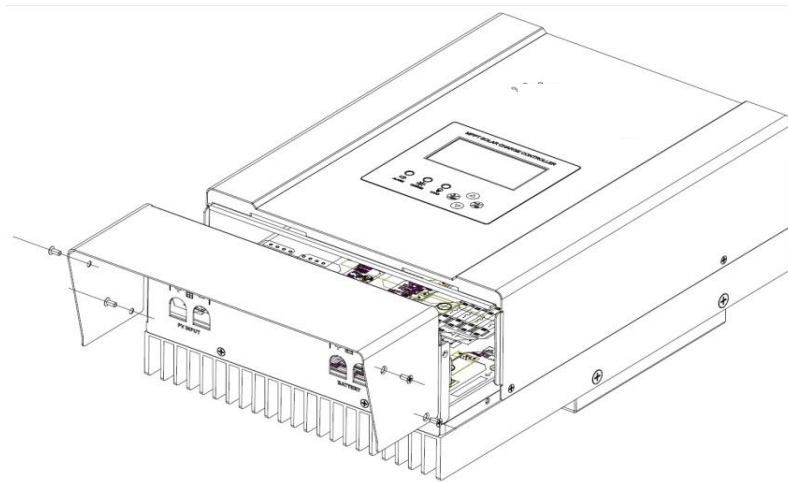
Step 1-Remove the wiring box cover



CAUTION: Shock Hazard

Disconnect all power sources to the controller before removing the wiring box cover. Never remove the cover when voltage exists on any of the MPPT power connections.

Use a #4 Phillips screw driver to remove the four screws that secure the wiring box cover as show in figure below.



#### Battery charging setting

It is important to select the battery type that match the system battery to ensure proper charging and long battery life. Refer to the specifications provided by the battery manufacturer and choose a setting that best fits the recommended charging profile.

Battery type	Bulk charge stage	Float charge stage	Equalize charge stage
Gel	14.2	13.7	14.4
AGM	14.3	13.7	14.5
Sealed	14.4	13.7	14.6
Flooded	14.6	13.5	14.8
User define	10-15V	10-15	10-15V

**Battery type**-The most common battery type associated with the specified charging settings.

**Bulk stage**-This stage limits input current, as the battery become more charged ,the charging current continues to taper down until the battery is fully charged.

Float stage- When the battery is fully charged, the charging voltage will be reduced to the float voltage setting.

Equalize stage-During an equalization cycle, the charging voltage will be held constant at the specified voltage setting.

#### Network connections

Network connections allow the MPPT controller to communicate with computers. A network can be as simple as one controller and one PC, or as complex as dozens of controllers monitored via the Internet.

#### Power connections

##### Wire size

The six large power terminals are sized for 6AWG wire. The terminals are rated for copper and aluminum conductors. Good system design generally requires large conductor wires for the solar and battery connection that limit voltage drop losses to 2% or less.

##### Minimum wire size

Minimum wire sizes for ambient temperatures to 45°C are provided in table 3-2 below.

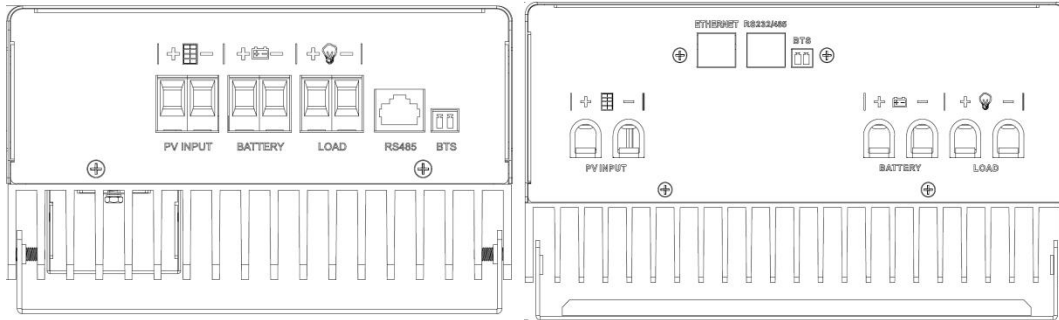
Model	Copper Wire Type	Recommended Size	Minimum Size
20A	Copper	8AWG	10AWG
30A	Copper	8AWG	10AWG
40A	Copper	6AWG	7AWG
50A	Copper	5AWG	6AWG
60A	Copper	5AWG	6AWG
70A	Copper	4AWG	5AWG
80A	Copper	4AWG	5AWG

Connect the power wires



**WARNING: Shock Hazard**

The solar PV array can produce open-circuit voltages in excess of 100VDC or 150VDC (Depend on different Model of the controller) when in sunlight. Verify that the solar input breaker or disconnect has been opened (disconnected) before installing the system wires.



Model: 20A 30A 40A

Model: 50A 60A 70A 80A

Connect the six power conductors shown in figure above the following steps:

1. Confirm that the system input and output disconnect switches are both turned off before connecting the power wires to the controller. There are no disconnect switches inside the controller.
2. Put the wires into the wiring box.



WARNING: Risk of Damage

Be very certain that the battery connection is made with correct polarity. Turn on the battery breaker/disconnect and measure the voltage on the open battery wires before connect to the controller. Disconnect the battery breaker/disconnect before wiring to the controller.

3. Connect the **battery+ (Positive)** wire to the **battery+** terminal on the controller, Connect the **battery - (Negative)** wire to the **battery-** terminal on the controller
4. Connect the **Solar+ (Positive)** wire to the **battery+** terminal on the controller, Connect the **Solar + (Negative)** wire to the **battery -** terminal on the controller.

### Power-Up



WARNING: Risk of Damage

Connecting the solar array to the battery terminal will **permanently damage** the controller.



WARNING: Risk of Damage

Connecting the solar array or battery connection with reverse polarity will **permanently damage** the controller.

- Confirm that the Solar and Battery polarities are correct.
- Turn the battery disconnect switch on first. Observe that the LCD indicate a successful start-up.(LCD display stand by)
- Note that a battery bank must be connected to the controller to start and operate the controller. The controller will not operate only from solar input.
- Turn the solar disconnect on. If the solar array is in full sunlight. The controller will begin charging.

### **Power-Down**



**WARNING: Risk of Damage**

Only Disconnect the battery from the controller **AFTER** the solar input has been disconnected. Damage to the controller may result if the battery is removed while the controller is charging.

To prevent damage, Power-down must be done in the reverse order as power-up.

## 4. Operation

The MPPT controller is fully automatic. After installation is completed, there are few operator tasks to perform. However, the operator should be familiar with the operation and care of the controller as described in this section.

### 4.1 The MPPT controller utilizes SMK Solar Maximum Power Point

Tracking (MPPT) technology to extract maximum power from the solar array. The tracking algorithm is fully automatic and does not require user adjustment. Our technology tracks the array maximum power point as it varies with weather conditions, ensuring that maximum power is harvested from the array throughout the course of the day.

### 4.2 Current Boost

Under most conditions, MPPT technology will “boost” the solar charge current. For example, a system may have 36 Amps of solar current flowing into the controller and 44 Amps of charge current flowing out to the battery. The controller does not create current! Rest assured that the power into the controller is the same as the power out of the controller. Since power is the product of voltage and current (Volts x Amps), the following is true\*:

(1) Power Into the SMK MPPT 150V = Power Out of the MPPT 150V

(2) Volts In x Amps In = Volts Out x Amps Out

\* assuming 100% efficiency. Losses in wiring and conversion exist.

If the solar module's *maximum power voltage* ( $V_{mp}$ ) is greater than the battery voltage, it follows that the battery current must be proportionally greater than the solar input current so that input and output power are balanced. The greater the difference between the  $V_{mp}$  and battery voltage, the greater the current boost. Current boost can be substantial in systems where the solar array is of a higher nominal voltage than the battery as described in the next section.

### 4.3 Battery Charging Information

The MPPT controller has 4-stage battery charging algorithm for rapid, efficient, and safe battery charging. Figure 4-1 shows the sequence of the stages.

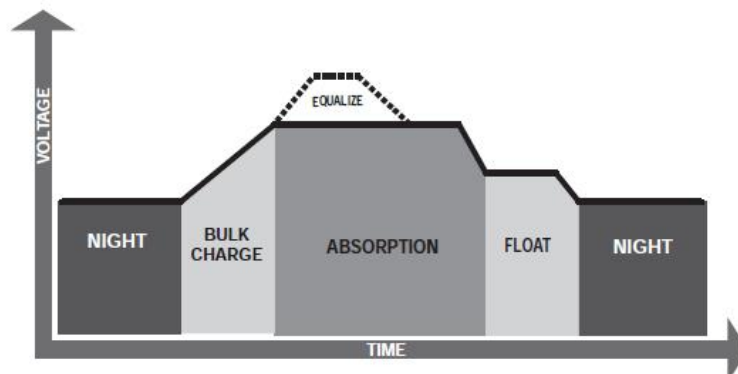


Figure4-1. MPPT controller Charging Algorithm

## Bulk Charge Stage

In bulk charge stage, the battery is not at 100% stage of charge and battery voltage has not yet charged to the absorption voltage set-point. The controller will deliver 100% of available solar power to recharge the battery. The green LED will blink once 0.5 second during bulk charging.

## Absorption Stage

When the battery has recharged to the absorption voltage set-point, constant-voltage regulation is used to maintain battery voltage at the absorption set-point, This prevents heating and excessive battery gassing. The battery is allowed to come to full state of charge at the absorption voltage set-point. The Green LED will blink once per two second during absorption charging.

## Float Stage

After the battery is fully charged in the absorption stage, The MPPT controller reduces the battery voltage to the Float voltage set-point, When the battery is fully recharged, there can be no more chemical reactions and all the charging current is turned into heat and gassing. The float stage provides a very low rate of maintenance charging while reducing the heating and gassing of a fully charged battery. The purpose of float is to protect the battery from long-term over-charge. The green LED will keep green during float charging.

## Equalize Stage

Equalize charging will start working in a period of 30 days. It will charge in a higher voltage so as to active the battery activity , usually 30mins ,depending on different battery type. Equalize charge will longer battery lifetime.

## **WARNING: Risk of Explosion**

Equalizing vented batteries produces explosive gases. The battery bank must be properly ventilated.



CAUTION: Equipment Damage

Equalization increases the battery voltage to levels that may damage sensitive DC loads. Verify all system loads are rated for the temperature compensated Equalize voltage before beginning an Equalization charge. Excessive overcharging and gassing too vigorously can damage the battery plates and cause shedding of active material from the plates. An equalization that is too high or for too long can be damaging. Review the requirements for the particular battery being used in your system.



## Temperature Compensation

All charging settings are based on 25°C (77°F). If the battery temperature varies by 5°C, the charging setting will change by 0.15volts from a 12v battery. This is a substantial change in the charging of the battery, and the use of the Battery sensor is recommended to adjust charging to the actual battery temperature.

### 4.4 Protections, Faults&Alarms

The MPPT controller protections and automatic recovery are important features that ensure the safe operation of the system. Additionally, the SMK controller features real-time self diagnostics that report Fault and Alarm condition as they occur.

Faults are events or conditions that require the controller to cease operation. A Fault usually occurs when a limit such as voltage, current, or temperature has been surpassed. Fault conditions are indicated with unique LED sequences and are also displayed on the LCD screen.

#### Protections

##### Solar overload

The controller will limit battery current to the maximum battery current rating. An over-sized solar array will not operate at peak power. The solar array should be less than the controller nominal maximum input power rating for optimal performance.

##### Solar short circuit

The controller will disconnect the solar input if a short circuit is detected in the solar wiring. Charging automatically resumes when the short is cleared.

##### Very Low battery Voltage

If battery discharges below 9 Volts the controller will go into brownout and shut down. When the battery voltage rises above the 10 Volts minimum operating voltage, the controller will restart.

#### Alarms

##### High temperature current limit

The MPPT controller will limit the solar input current if the heatsink temperature exceeds safe limit. Solar charge current will be tapered back (to 0 amps if needed) to reduce the heatsink temperature. The controller is designed to operate at full rated current at the maximum ambient temperature. This alarm indicates that there is insufficient airflow and that the heatsink temperature is approaching unsafe limits. If the controller frequently reports this alarm condition, corrective action must be taken to provide better air flow or to relocate the controller to a cooler spot.

##### High Input voltage current limit



The MPPT controller will limit the solar input current as the solar array Voc approaches the maximum input voltage rating. **The array Voc should never exceed the maximum input voltage(100VDC or 150VDC).**

#### Current limit

The array power exceeds the rating of the controller, this alarm indicates that the controller is limiting battery current to the maximum current rating.

#### Uncalibrated

The controller was not factory calibrated. Return the controller to an authorized dealer for service.

#### Inspection and Maintenance

The following inspections are recommended two times per year for best long-term performance.

#### System Inspection

- Confirm the controller is securely mounted in a clean and dry environment.
- Confirm that the air flow around the controller is not blocked. Clean the heatsink of any dirt or debris.
- Inspect all exposed conductors for insulation damage due to sun damage, rubbing on nearby objects, dry rot, insects, or rodents. Repair or replace conductors as necessary.
- Tighten all power connections per the manufacturers' recommendations.
- Verify the LED and LCD indications are consistent with the equipment operation. Note any fault or error indications. Take corrective action if necessary.
- Inspect the battery bank. Look for cracked or bulging cases and corroded terminals.
- Inspect the system earth grounding for all components .Verify all grounding conductors are appropriately secured to earth ground.

#### Inside the MPPT controller Wiring Box



CAUTION: Shock Hazard

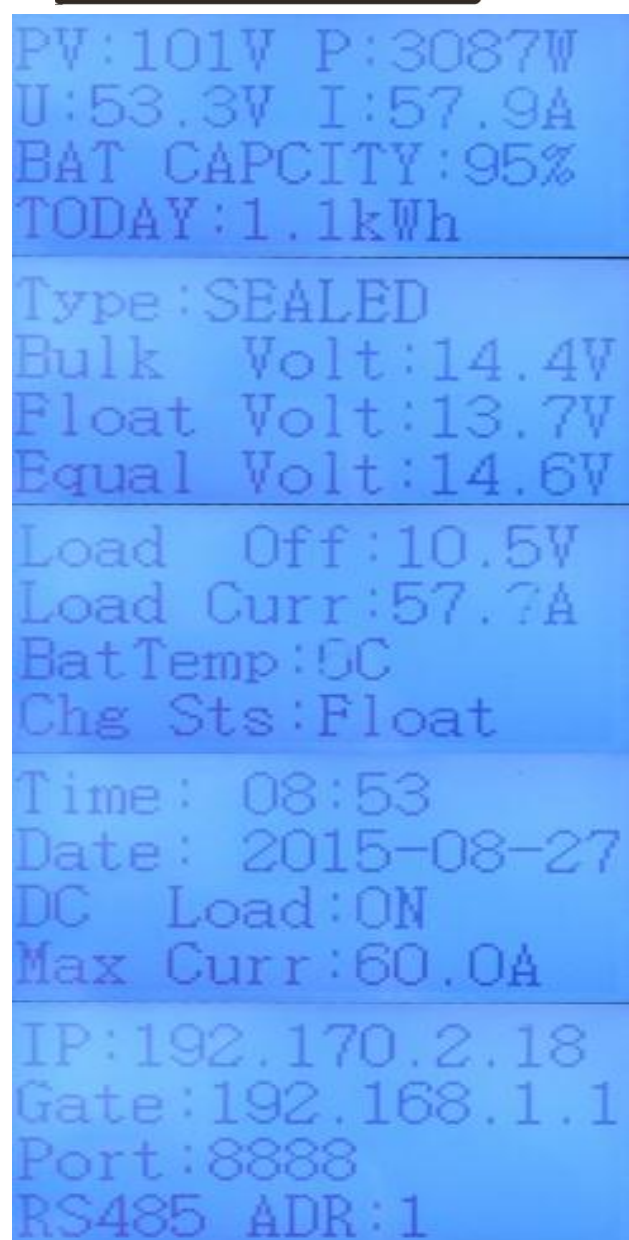
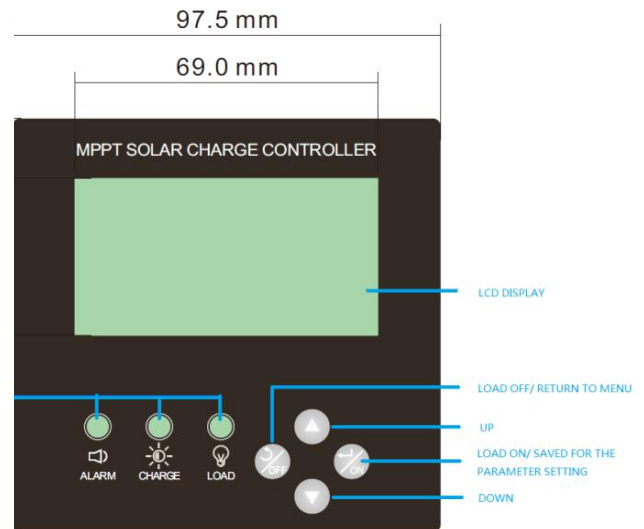
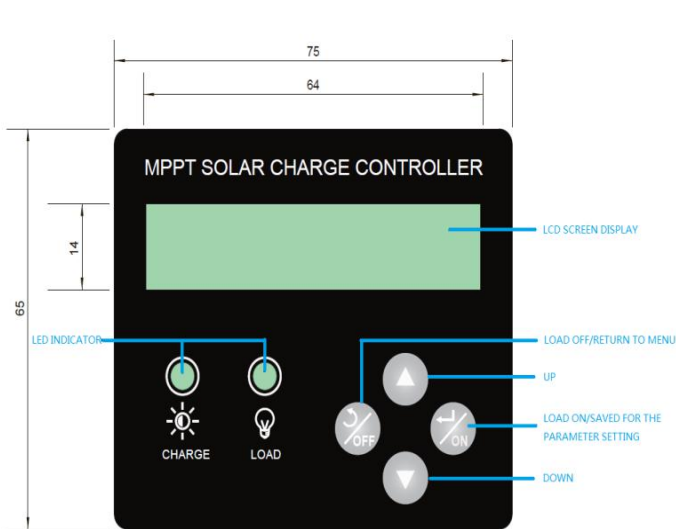
Disconnect all power sources to the controller before removing the wiring box cover. Never remove the cover when voltage exists on the controller power connections.

- Check all wire terminals. Inspect connection for corrosion, damaged insulation, signs of high temperature or burning/discoloration. Tighten the terminal screws to the recommended torque.

- Inspect for dirt, nesting insects, and corrosion. Clean as required.

## 5. Display and parameter setting, Monitoring

The MPPT control possess : Two different screen model as following:

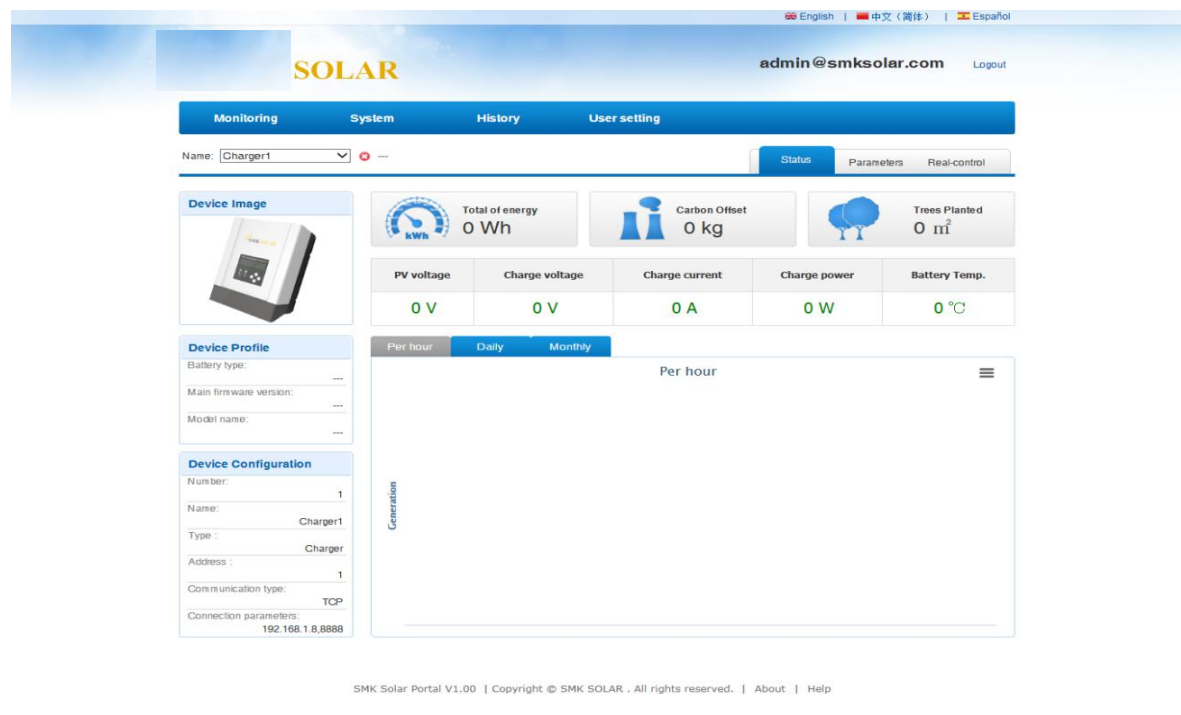


Customer can revise and set the default parameter according to your system design. Battery type, Bulk charge, Float charge voltage, Load off voltage, Load Off/On, Date/Time, Communication ID are able to change through the screen button setting.

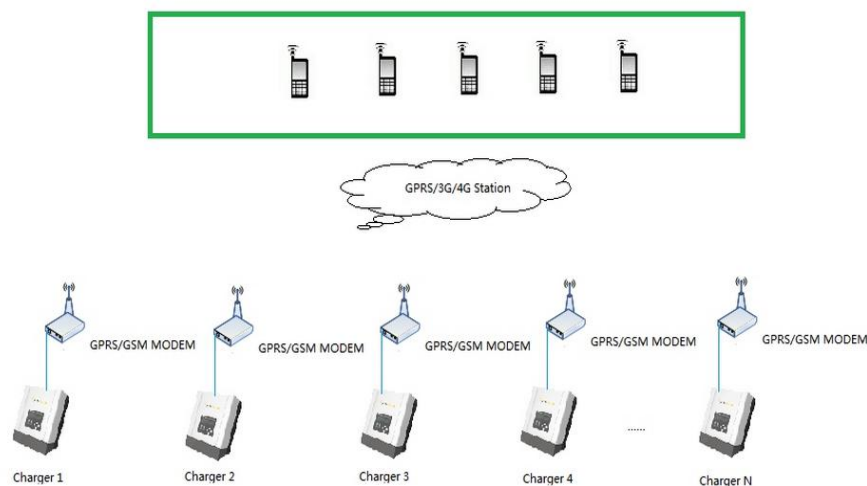
## Communication

The MPPT controller provides RS485/232/Ethernet and optional GPRS/DAU communication selection for your customized requirement. We offer different type of monitor system for your solar system. No matter the residential system, commercial system or the remote monitoring for your telecom station/oil station, we have different solution for the monitoring. **For more detail, please contact your local agents.**

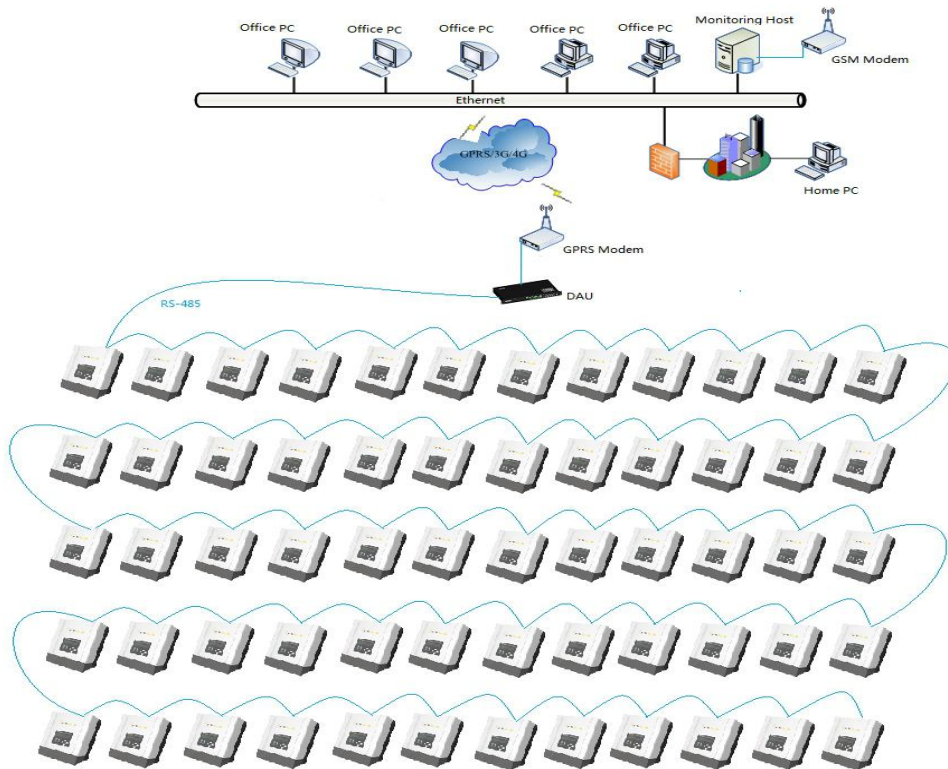
Example 1: Home use system monitoring



Example 2: GPRS Monitoring



### Example 3: Centralized monitoring



## 6. Troubleshooting

### Battery Charging and Performance Issues

Problem:

No LCD or LED indications, controller does not appear to be power.

Solution:

With a multi-meter, check the voltage at the battery terminals on the controller. Battery voltage must be 9 VDC or greater. If the voltage on the battery terminals of the controller is between 9 and 60 VDC and no LED or LCD indicate, contact your authorized SMK solar dealer for service. If no voltage is measured, check wiring connections, fuses, and breaker.

Problem:

The controller is not charging the battery.

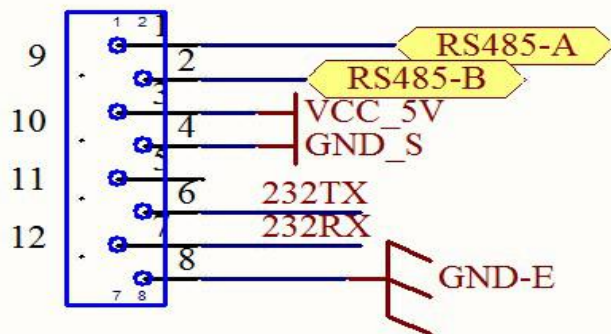
Solution:

If the LCD indication is normal, check the fuses, breakers and wiring connections in the solar array wiring. With a multi-meter, check the array voltage directly at the controller solar input terminals. Input voltage must be greater than the Minimum start-up voltage before charging will begin.

### Network and Communication Issues.

Problem:

Can not connect to the controller Via communication port.



6.1 communication port pin define

Make sure that your cable match the RS485 communication port. For 30A 40A controllers ,the default communication is RS485. For 50A 60A 70A 80A controller, the communication port is RS485/232/Ethernet.

## 7.Warranty , Claim Procedure and Datasheet

All of MPPT controllers are warranted to be free from defects in material and workmanship for a period of two years from the date of shipment to the original end user. SMK will, at its option, repair or replace any such defective products.

### WARRANTY EXCLUSIONS AND LIMITATIONS

This warranty does not apply under the following conditions:

- Damage by accident, negligence, abuse or improper use.
- PV or Load current exceeding the ratings of the product.
- Unauthorized product modification or attempted repair.
- Damage occurring during shipment.
- Damage results from acts of nature such as lightning and weather extremes.

The warranty and remedies set forth above are exclusive and in lieu of all others, express or implied. SMK solar specifically disclaims any and all implied warranties, including, without limitation, warranties of merchantability and fitness for a particular purpose. No SMK distributor, agent or employee is authorized to make any modification or extension to this warranty.

**WE ARE NOT RESPONSIBLE FOR INCIDENTAL OR CONSEQUENTIAL DAMAGES OF ANY KIND, INCLUDING BUT NOT LIMITED TO LOST PROFITS , DOWN-TIME, GOODWILL OR DAMAGE TO EQUIPMENT OR PROPERTY.**

### WARRANTY CLAIM PROCEDURE

Before proceeding, please refer to product manual, including trouble shooting section.

- 1.Contacting your authorized distributor or dealer from whom you purchase the unit is the first step in the warranty process. Local dealers can often address warranty issues quickly.
2. If supplier is unable to address the issue, please contact us by Email ([service@smksolar.com](mailto:service@smksolar.com)) with:
  - (A) Purchase location-business or company name
  - (B) Full model and serial number (SN is 18-digits on unit bar label)
  - (C) Failure behavior, including LCD indications
  - (D) Array configuration, panel Pmax, Voc, Vmp, Isc, and battery voltage; These specifications are needed to receive assistance.
3. After warranty replacement has been approved and new unit(s) received, please return failed unit(s) using pre-paid shipping label, and follow any product specific instructions if requested by SMK Warranty Dept.



4. If instructed by controller after warranty replacement shipment has been received, return of failed unit(s) is required before further warranty replacements can be considered for the original or future cases.

**NOTE: PLEASE DO NOT RETURN UNITS WITHOUT AN RMA CASE NUMBER. DOING SO WILL INCREASE THE TIME REQUIRED TO RESOLVE YOUR CLAIM.**

### Technical Specification for MPPT series MPPT solar charge controller

#### MPPT Charge Controller Datasheet Heatsink cooling version

Model	20A	30A	30A	40A	50A	60A	70A	80A
Solar System Voltage	12V/24V		12V/24V/48V					
<b>Electrical</b>								
PV operating voltage	15~100Vdc@12V 34~100Vdc@24V		15~100Vdc@12V 34~100Vdc@24V 60~100Vdc@48V		15~100Vdc@12V 34~100Vdc@24V 60~100Vdc@48V			
Max. PV open circuit voltage	100Vdc				150Vdc			
Max. PV input	12V 300W 24V 600W	12V 400W 24V 800W	12V 400W 24V 800W 48V 1700W	12V 600W 24V 1200W 48V 2300W	12V 700W 24V 1400W 48V 2800W	12V 800W 24V 1700W 48V 3400W	12V 1000W 24V 2000W 48V 4000W	12V 1200W 24V 2300W 48V 4600W
Max. charging current	20A	30A	30A	40A	50A	60A	70A	80A
Max. DC load current	30A		40A		60A	60A	60A	60A
Self Consumption	2W				3W			
Conversion Efficiency	97.5%				98%			98.5%
Protection	Overload, short circuit, high voltage ,high temperature protection							
<b>Battery charging</b>								
Battery Type	Sealed ,AGM, Gel, Flooded, User Define							
Charging Algorithm	3-stage: Bulk, Absorption, Float				4-stage: Bulk, Absorption, Float, Equalize			
Bulk charge voltage	Sealed:14.4V AGM Gel:14.2V Flooded:14.6V User define:10-15V							
Float charge voltage	Sealed/Gel/AMG:13.7V Flooded:13.6V User define :10-15V							
Equalize charge voltage	Sealed:14.6V AGM:14.8V Flooded:14.8V User define :10-15V							
Low voltage reconnect voltage	10.2V							
Low voltage disconnect voltage	9V							
Temperature compensation	-5mV/°C /2V with BTS(Optional)							
<b>Communication</b>								
Communication Port	COM for remote display	RS485 with On line monitor system			RS485/232/Ethernet with On line monitor system, GPRS/DAU Optional			
<b>Mechanical</b>								
Net weight	1.6KG	3.3KG		6.7KG		7.6kg		
Gross weight	1.9KG	3.7KG		7.7KG		8.6KG		
Dimensions	210*180*70	270*185*90		305*227*110		353*227*110		
Packing box	270*220*95	345*255*160		455*320*215				
Cooling	Heatsink cooling							
Enclosure	IP54							
<b>Environment</b>								
Ambient Temperature	-25~60°C ( Derating from 45°C)							
Storage Temperature	-40°C~+80°C							
Humidity	100% non-condensing							
Warranty	Two Years							

## MPPT Charge Controller Datasheet Fan cooling version

Model	30A	40A	50A	60A
Solar System Voltage	12V/24V48V			
<b>Electrical</b>				
PV operating voltage	15~100Vdc@12V 34~100Vdc@24V 60~100Vdc@48V		17 ~150Vdc@12V 34~150Vdc@24V 60~150Vdc@48V	
Max. PV open circuit voltage	100Vdc		150Vdc	
Max. PV input power	12V 400W	12V 600W	12V 700W	12V 800W
	24V 800W	24V 1200W	24V 1400W	24V 1700W
	48V 1700W	48V 2300W	48V 2800W	48V 3400W
Max. charging current	30A	40A	50A	60A
Max. DC load current	40A		60A	
Self Consumption	2W		4W	
Conversion Efficiency	97%		97.8%	
Protection	Overload, short circuit, high voltage ,high temperature protection			
<b>Battery charging</b>				
Battery Type	Sealed ,AGM, Gel, Flooded, User Define			
Charging Algorithm	3-stage: Bulk, Absorption, Float, Equalize			
Bulk charge voltage	Sealed:14.4V AGM Gel:14.2V Flooded:14.6V User define:10-15V			
Float charge voltage	Sealed/Gel/AMG:13.7V Flooded:13.6V User define :10-15V			
Equalize charge voltage	Sealed:14.6V AGM:14.8V Flooded:14.8V User define :10-15V			
Low voltage reconnect voltage	10.2V			
Low voltage disconnect voltage	9V			
Temperature compensation	-5mV/°C /2V with BTS(Optional)			
<b>Communication</b>				
Communication Port	RS485 with On line monitor system		RS232/Ethernet with On line monitor system Optional	
<b>Mechanical</b>				
Net weight	1.8KG		3KG	
Gross weight	2.1KG		4KG	
Dimensions	230*170*60		290*180*90	
Packing dimension	350*250*105		330*250*145	
Cooling	Fan cooling			
Enclosure	IP20			
<b>Environment</b>				
Ambient Temperature	-25~60°C ( Derating from 45°C)			
Storage Temperature	-40°C~+80°C			
Humidity	100% non-condensing			
Warranty	Two Years			