

PWM Solar Charge Controller

LS-EPD系列



LS-EPD series solar charge controller adopts the most advanced digital technique and operates fully automatically. It is ideal for extreme environments with corrosion, dust, water etc and has various unique functions.



Model overview :

- LS1012EPD 10A, 12V
- LS1024EPD 10A, 12/24V Auto
- LS2024EPD 20A ,12/24V Auto

Features :

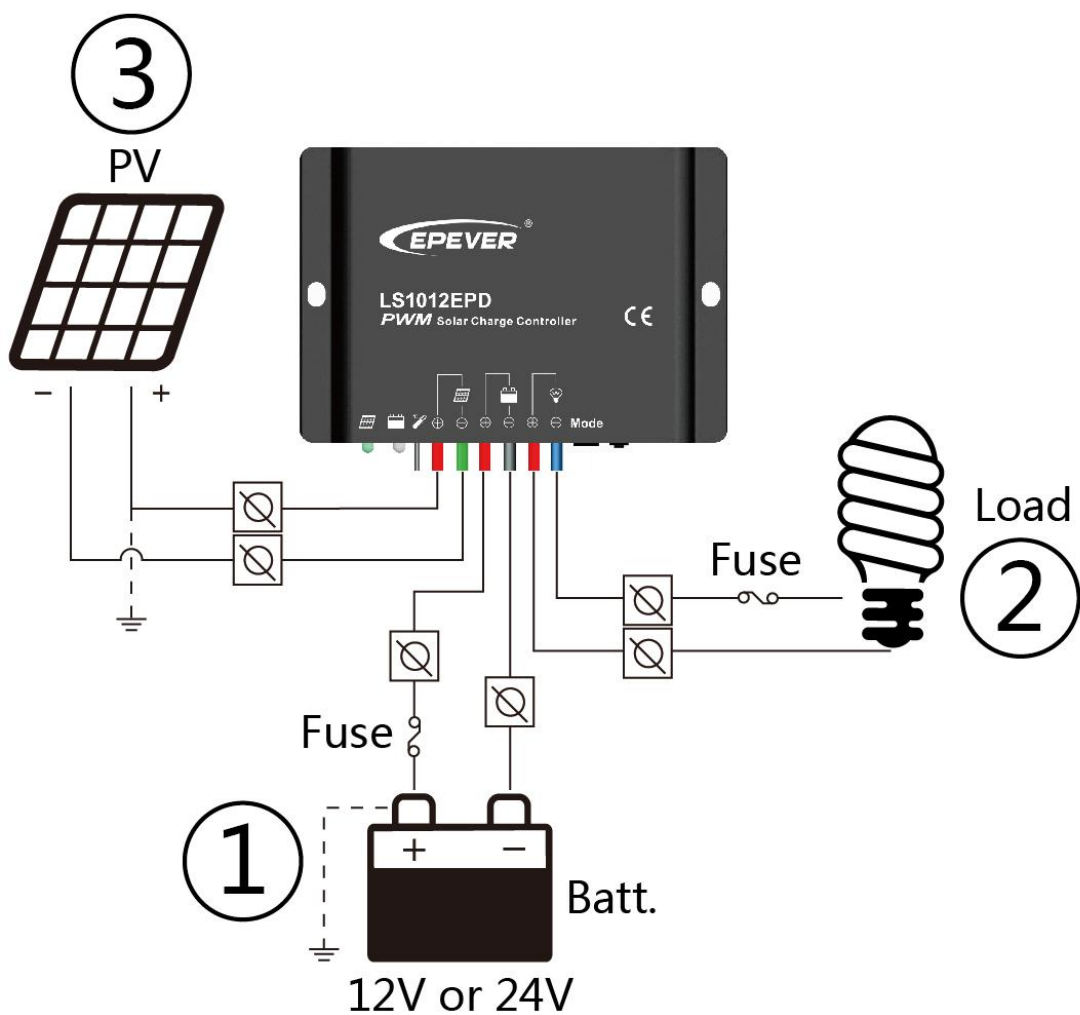
- High efficient Series PWM charging, increase the battery lifetime
- Widely used, automatically recognize day/night
- Battery LED indicate battery status
- Industrial design, wide application range
- Digital tube menu, only one key solve all setting simply
- Intelligent timer function with 1~13 hours option
- IP67 protection

Load control mode:

- Manual Control
- Test Mode (Default)
- Light ON/OFF
- Light ON + Timer

Electronic protections:

- PV reverse polarity protection
- Battery overcharge protection
- Battery over discharge protection
- Load overload protection
- Load short circuit protection



Technical specifications:

Type	LS1012EPD	LS1024EPD	LS2024EPD
Nominal system voltage	12V	12/24V auto	12/24V Auto
Max. PV input voltage	30V	50V	50V
Rated current	10A	10A	20A
Equalize charging voltage	14.8V(12V);29.6V(24V)		
Boost charging voltage	14.4V(12V);28.8V(24V)		
Float charging voltage	13.7V(12V);27.4V(24V)		
Low voltage reconnect voltage	12.6V(12V);25.2V(24V)		
Low voltage disconnect voltage	11.2V(12V);22.4V(24V)		
Self-consumption	12V: ≤4.58mA; 24V: ≤6.01mA		
Temperature compensation coefficient	-5mV/°C/2V (25°C)		
Working temperature	-35°C~+55°C		
Enclosure	IP67		
Overall dimension	108.5mm×75mm×25.6mm		
Mounting dimension	100.5mm		
Mounting hole size	Φ5		
Power cable	4.0mm ²		6.0mm ²
Net weight	408g	410g	435g

* Technical data for 12V system at 25 °C



BEIJING EPSOLAR TECHNOLOGY CO.,LTD.
 Add: BLDG #18, CO.PARK ,NO.8 HEYING
 ROAD,CHANGPING DISTRICT,BEIJING,CHINA
 Tel: 010-82894962 / 82894112
 Fax: 010-82894882
 E-mail: info@epsolarpv.com